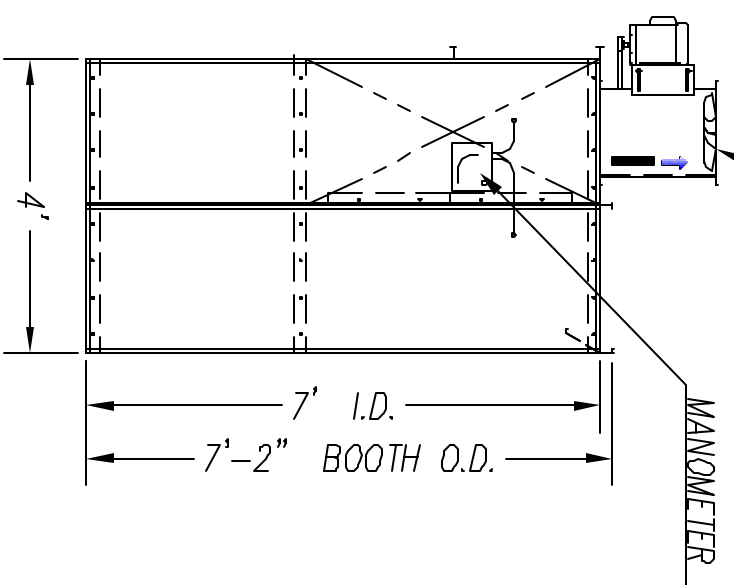
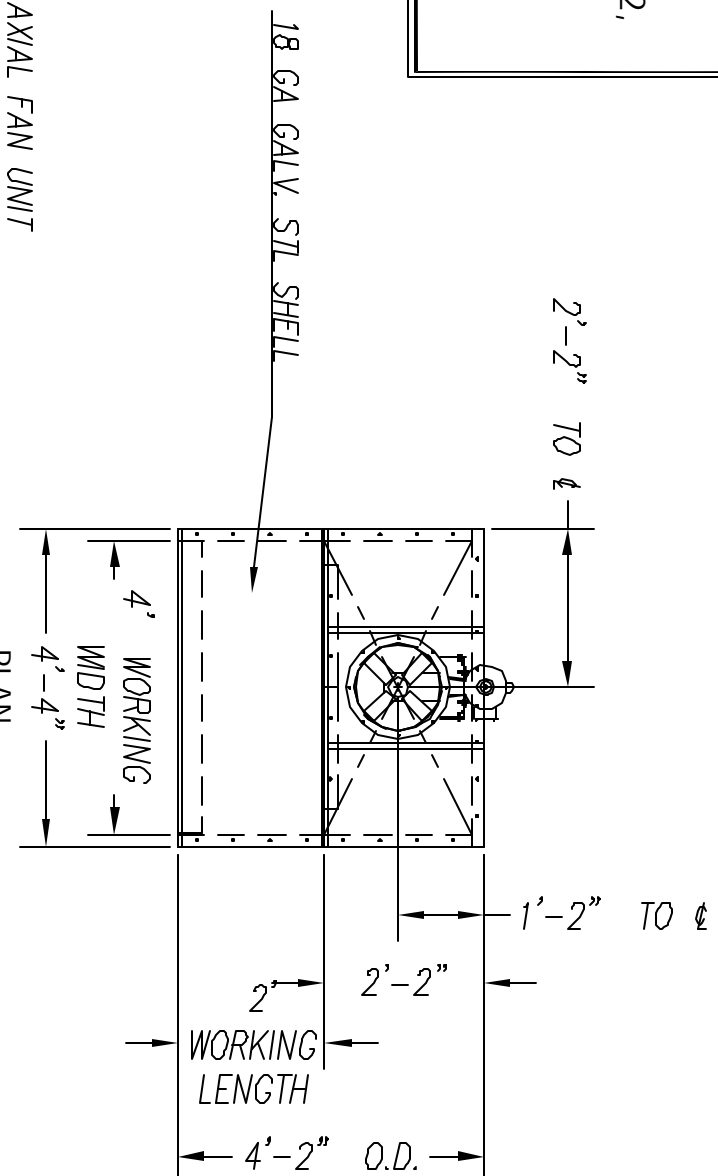


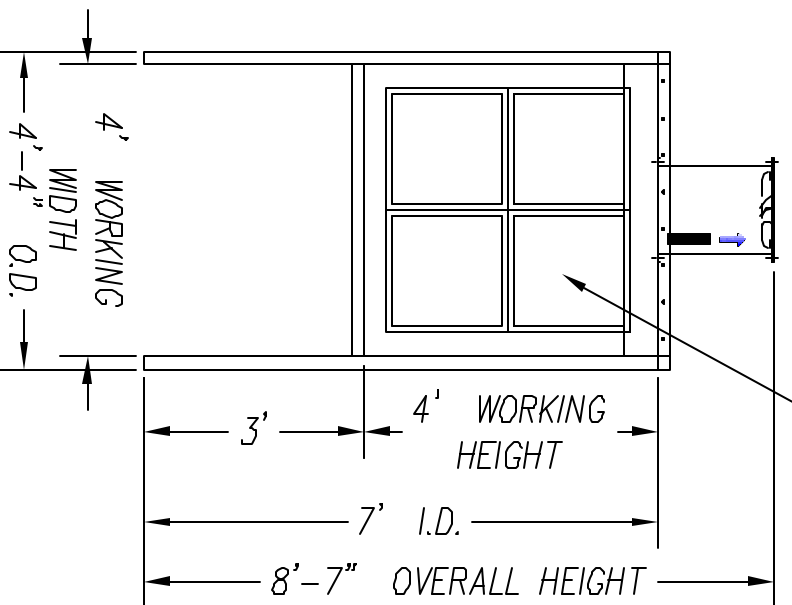
COL-MET SPRAY BOOTHS ARE MFG. IN ACCORDANCE WITH IFC-2000 SECTION 1504.1.2.1 THROUGH 1504.1.2.2, SECTION 1504.2.3, SECTION 1504.2.5, SECTION 1504.2.7, SECTION 1504.3, SECTION 1504.3.1, SECTION 1504.3.2, AND NFPA-33



LEFT SIDE ELEVATION



PLAN



VIEW @ WORK AREA

EXHAUST FILTERS, (4) SUPPLIED
20" X 20" X 2" FILTERS
WITH GRIDS

THE ASSEMBLY DRAWINGS YOU HAVE RECEIVED ARE IN A GENERAL REFERENCE. OPTIONAL ACCESSORIES MAY NOT BE SHOWN AS PROVIDED. PLEASE REFER TO YOUR PURCHASE ORDER FOR A COMPLETE DESCRIPTION OF YOUR BOOTH ORDER.

APPROVAL DRAWING
MANUFACTURING WILL AWAIT APPROVAL

END USER SIGNATURE: _____

MOTOR SUPPLY VOLTAGE: _____

LIGHT SUPPLY VOLTAGE: _____

PLEASE SIGN THE APPROVAL DRAWING, MAKE ANY NOTES TO DRAWING THAT MAY AFFECT ORDER. NOTE: ANY CHANGES TO DRAWING MAY EFFECT CHARGES, DELAY APPROVAL PROCESS AND DELAY THE PRODUCTION OF YOUR ORDER.

VOLTAGE CONFIRMATION	
MOTOR 480/3/60 VAC	_____
LIGHTS 120/1/60 VAC	_____
IF DIFFERENT, INDICATE BELOW	_____
VAC (MOTOR)	_____
VAC (LIGHTS)	_____

GENERAL NOTES:	
BOOTH TYPE: IBB-0407-02	STATIC PRESSURE: 1/2"
CHL: 2100	TOTAL AMP SERVICE: 5
VOLTAGE: 480/3/60	TOTAL AMPS: N/A
COMPONENT DESCRIPTIONS:	
1) LIGHT AMP TOTAL: N/A	TOTAL QTY.: N/A
2) EXHAUST FAN SIZE: 14"Ø	QTY.: 1
120VAC, 1PH, 60HZ	TYPE: N/A
MODEL NO: TB14	WITH 3/4HP,
QTY.: N/A	ODP TYPE MOTOR
1.6	AMPS
3) EXHAUST FILTER TOTAL: 4 TYPE OF FILTER	20" X 20" X 2" PAD
GENERAL NOTES:	
1. WORK CHAMBER WILL BE BOLTED CONSTRUCTION WITH 5/16" BOLTS ON STANDARD 6" CENTERS.	
2. WORK CHAMBER TO BE 18 GA. GALVANIZED UNPAINTED SHEET METAL.	
3. ALL MOTOR CONTROLS SWITCHES, LIGHT LAMPS OR TUBES, INCLUDING CONNECTIONS TO EQUIPMENT TO BE FURNISHED AND INSTALLED BY CUSTOMER EXCEPT AS NOTED.	
4. AMPLE AIR MAKEUP AND AIR SPACE WITHIN FRONT OF BOOTH MUST BE PROVIDED IN ORDER TO INSURE PROPER OPERATION OF BOOTH.	
5. ALL LOCAL, CITY & STATE PERMITS AND INSURANCE APPROVAL TO BE OBTAINED BY CUSTOMER.	
6. CUSTOMER TO FURNISH ROOF-PITCH IF REQUIRED.	

COL-MET
Spray booths

IBB 0407 3-VIEW APPROVAL

DATE: 12/6/05	BY: PW
CHECK DATE:	
APPROVAL:	
DESIGN DATE:	
DESIGNER:	
SCALE: NTS	SHEET: 1 OF 1