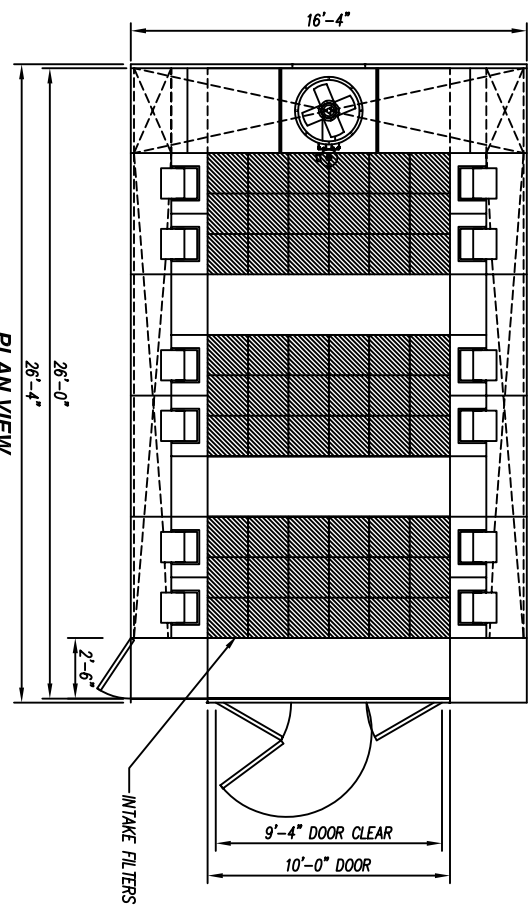
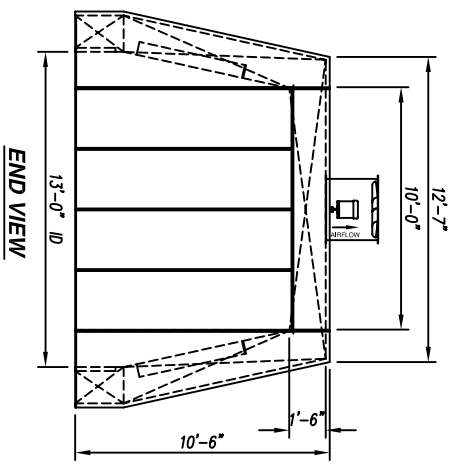


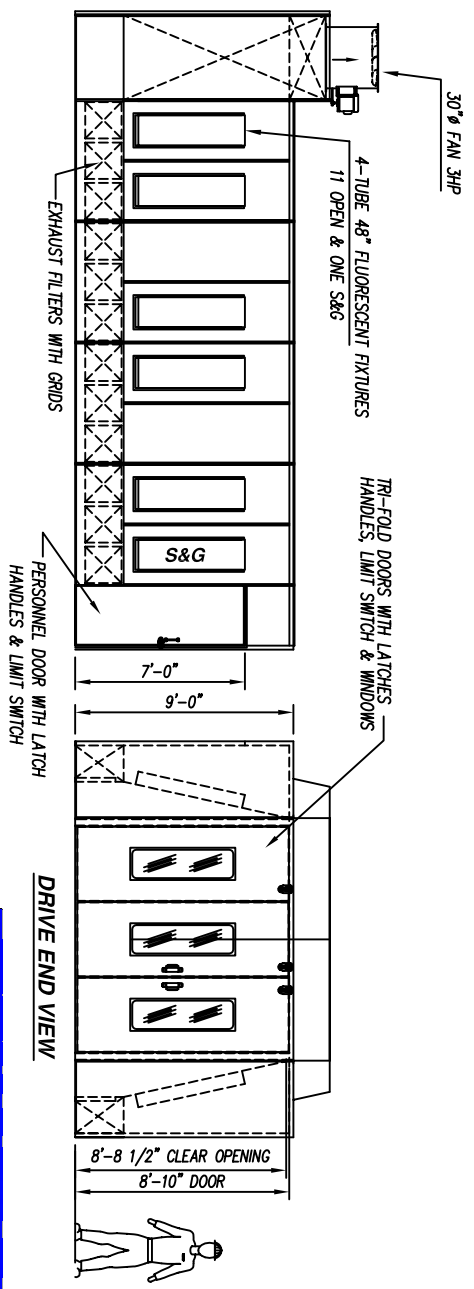
THE ASSEMBLY DRAWINGS YOU HAVE RECEIVED ARE FOR GENERAL REFERENCE. OPTIONAL ACCESSORIES MAY NOT BE SHOWN AS PROVIDED. PLEASE REFER TO YOUR PURCHASE ORDER FOR A COMPLETE DESCRIPTION OF YOUR BOOTH ORDER.



PLAN VIEW



END VIEW



SIDE ELEVATION

DRIVE END VIEW

COL-MET SPRAY BOOTH ARE MFG. IN ACCORDANCE WITH IFC-2000 SECTION 1504.1.2.1 THROUGH 1504.1.2.2, SECTION 1504.2.3, SECTION 1504.2.5, SECTION 1504.2.7, SECTION 1504.3, SECTION 1504.3.1, SECTION 1504.3.2 AND NPPA-33

BOOTH WALLS & CEILING PANELS FABRICATED OF G-90, 18 GA. GALVANIZED STEEL IN ACCORDANCE WITH THE IFC-2000 SECTION 1504.1.2.1 & NPPA-33 CHAPTER 3.1

SEE ORDER ACKNOWLEDGEMENT FOR COMPLETE LIST OF PROVIDED STACK, AND OPTIONAL COMPONENTS

COLMET
Spray booths

FILE NAME	CONTRACT NO.	DATE	SCALE
ISSUED	07/21/2005	BY	1:1
CHECK	OT	DATE	
APPROV.		TIME	
ISSUED		NO.	
SCALE	1:1	HEIGHT	
SHEET	1	OF	3

EF-1309-26-SB

105-1309-26-01-01